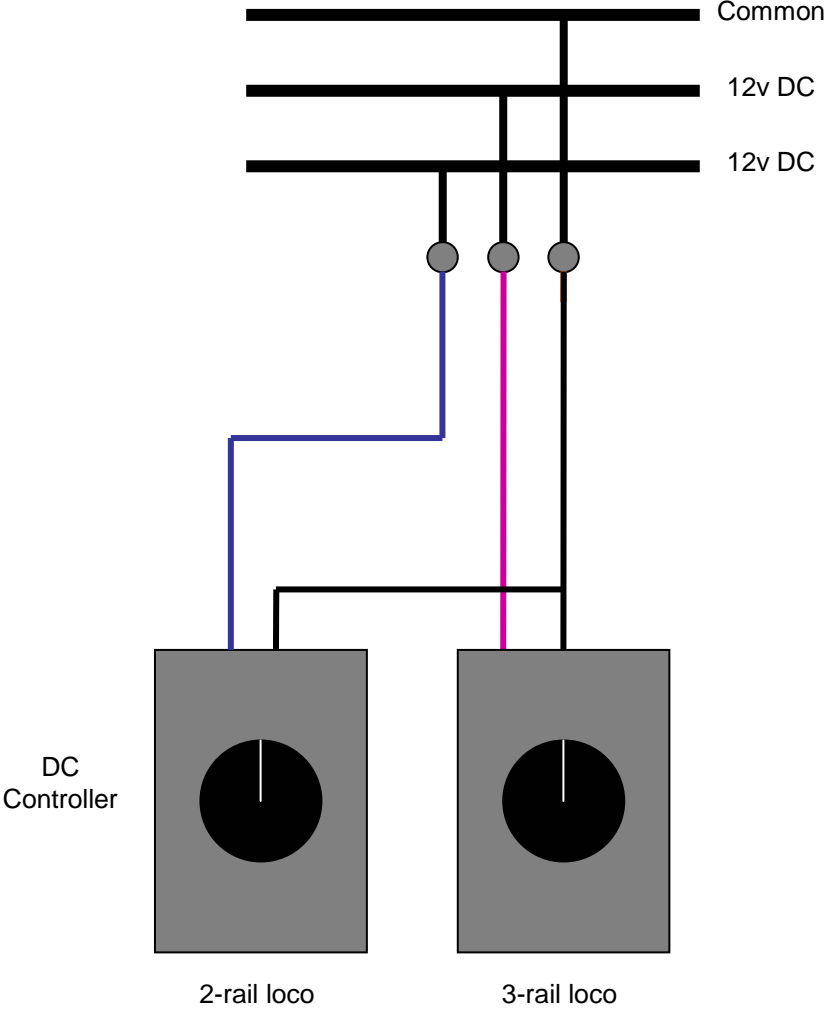


# 2-rail and 3-rail DC twin running



Note:  
Because the outer rail is now used as the common return, Trix accessories that rely on a common centre rail cannot be used (eg electric points).

Make sure that the 3-rail loco's outer shoes are on the correct rail.

Steve White  
[www.TRIX.co.uk](http://www.TRIX.co.uk)