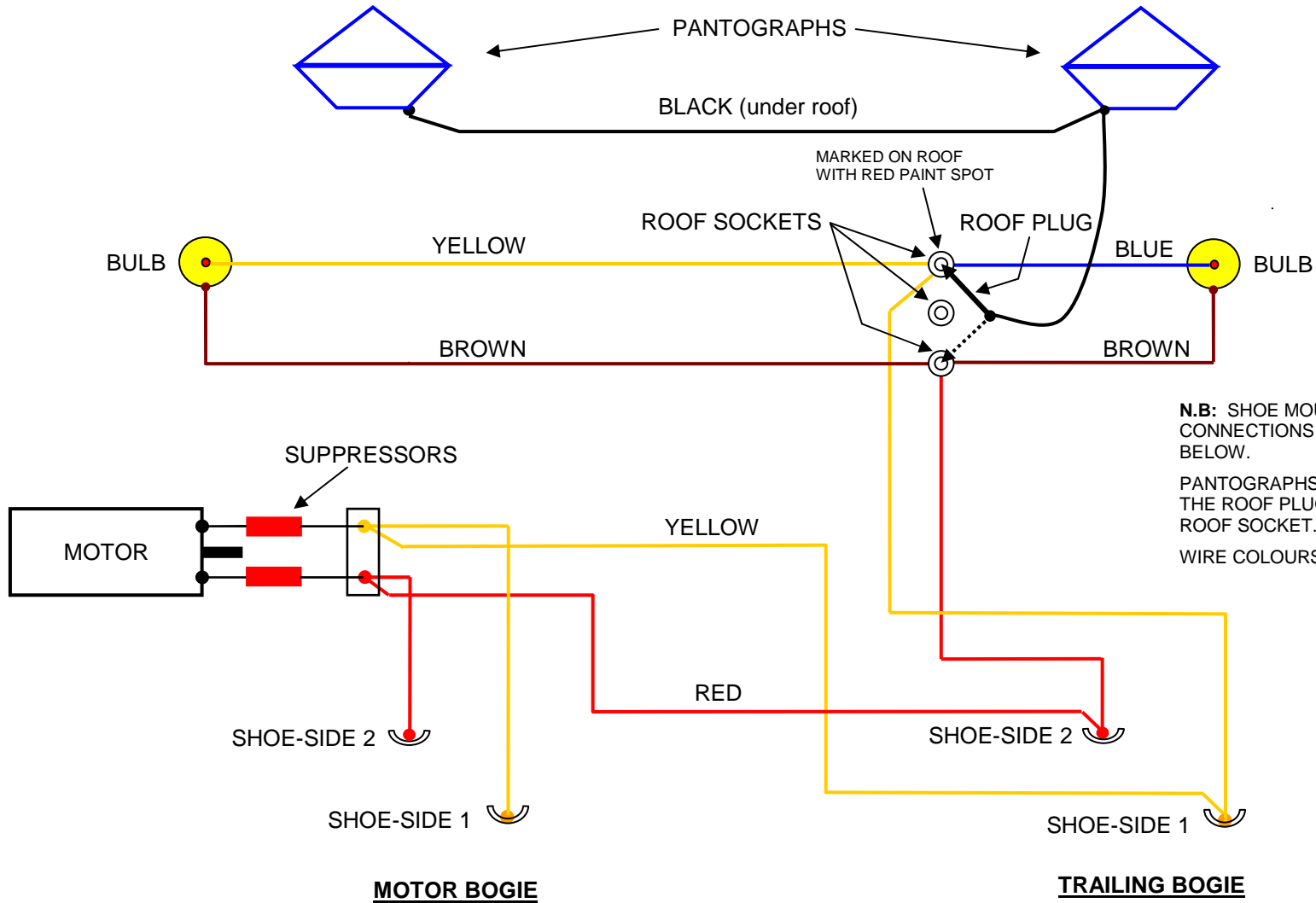


EM 1 Bo-Bo Wiring Diagram



N.B: SHOE MOUNTING PLATES AND ROOF CONNECTIONS ARE DRAWN AS SEEN FROM BELOW.

PANTOGRAPHS CAN BE ISOLATED BY PARKING THE ROOF PLUG IN THE UNCONNECTED CENTRE ROOF SOCKET.

WIRE COLOURS MAY VARY.

FOR OPERATING INSTRUCTIONS AND SETTING UP THE CATENARY OVERHEAD POWER SYSTEM, REFER TO TTR INSTRUCTION LEAFLET IL 1042 (PRINTED, NORTHAMPTON 1959)