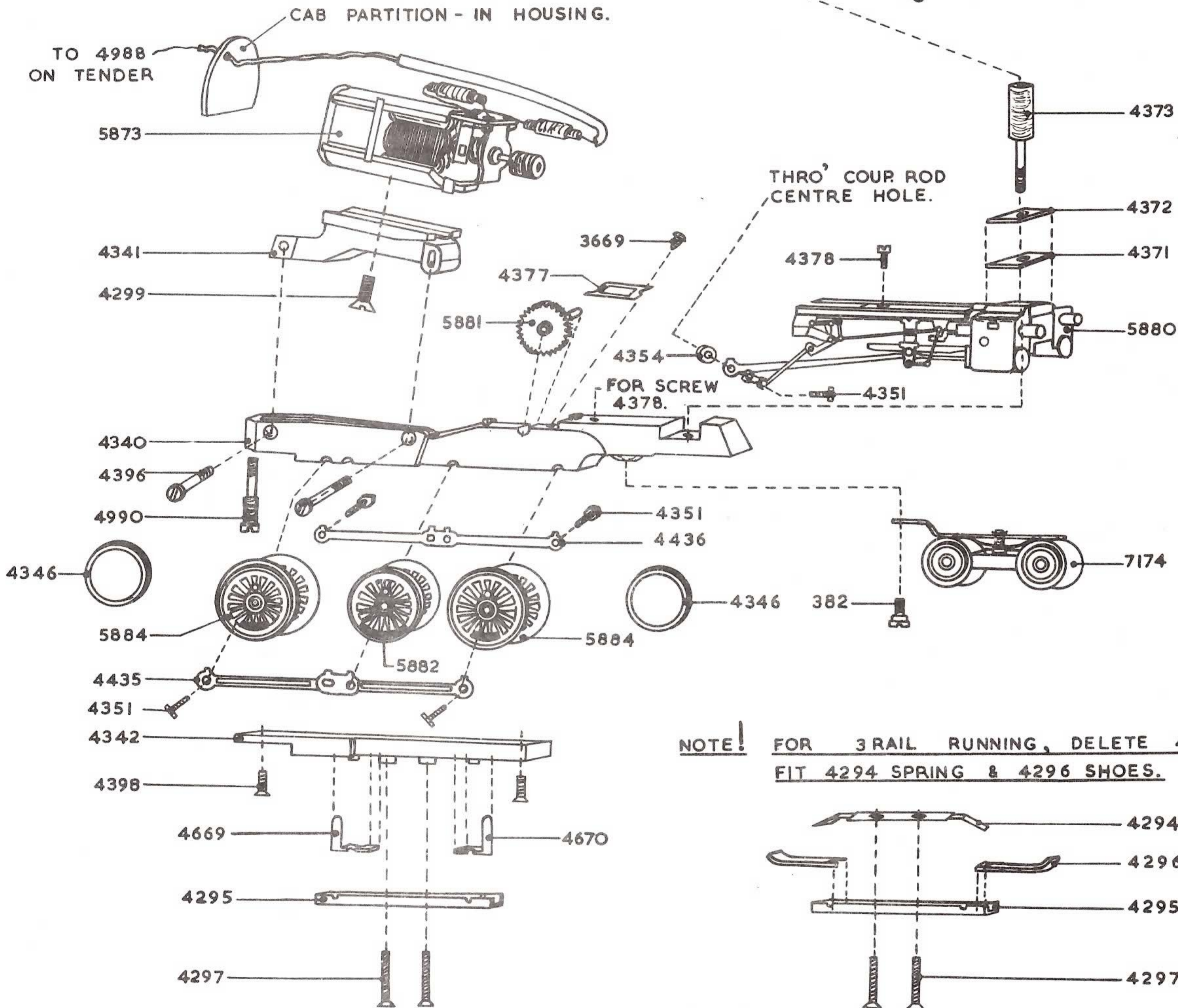
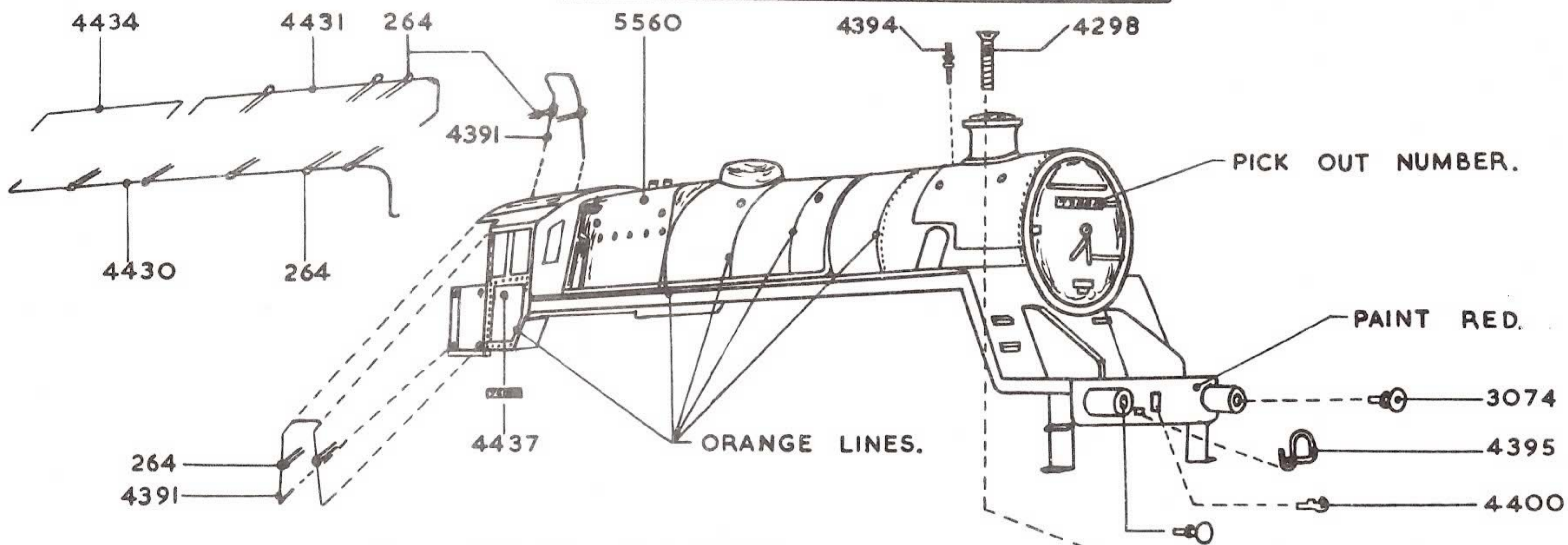


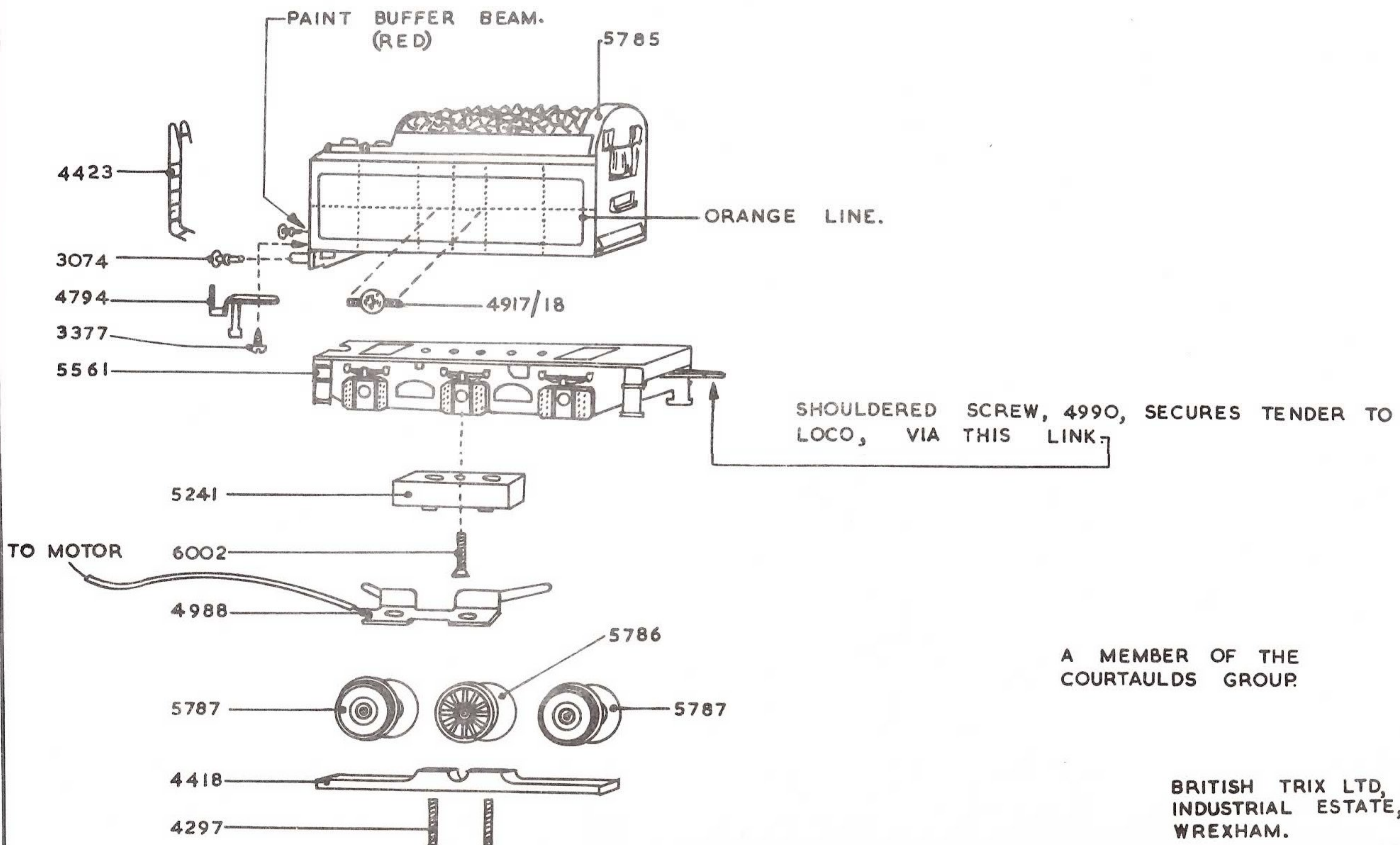
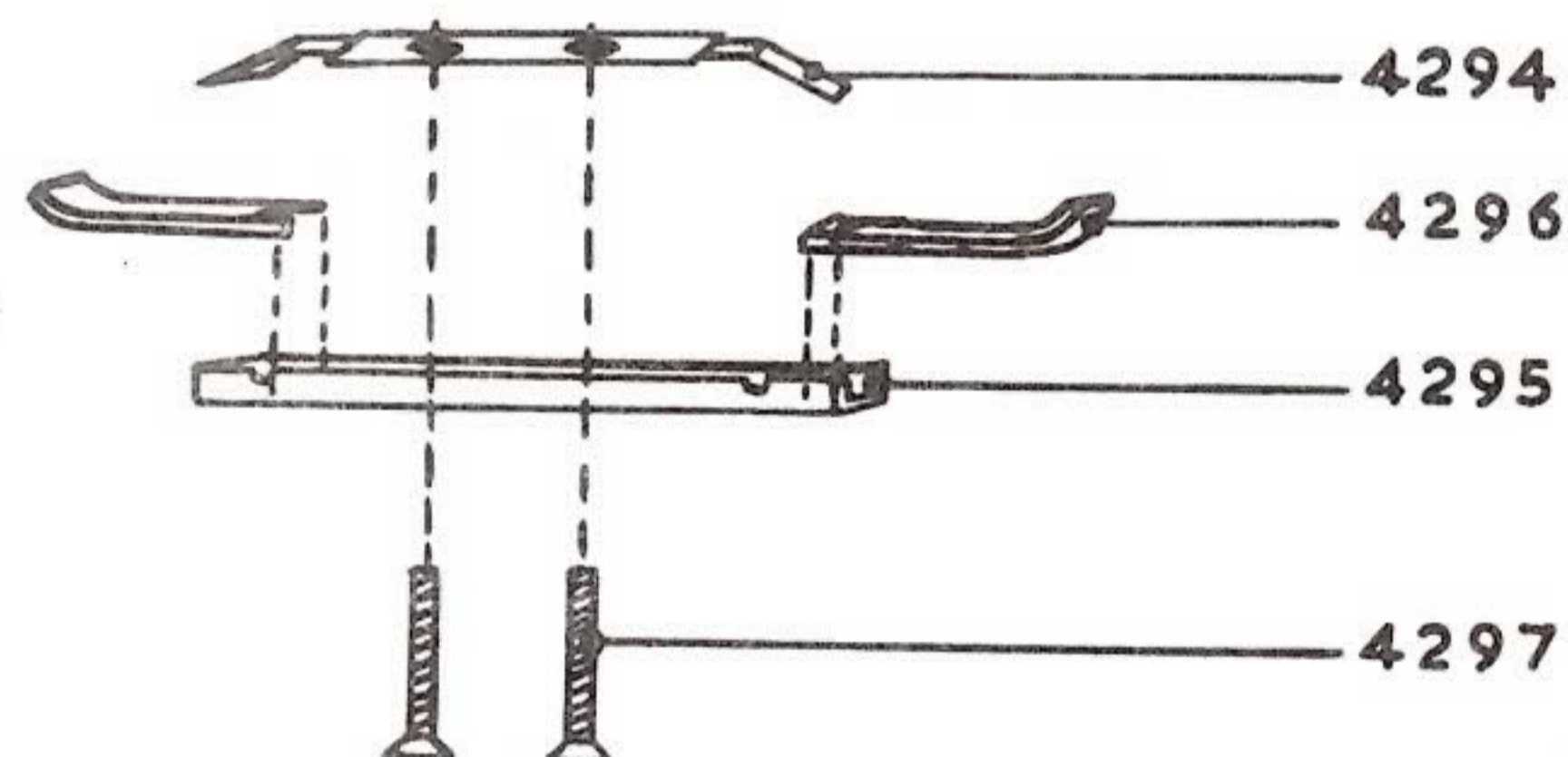
TRIX

TRIX THE FOOTPLATE MAN.
CLASS V LOCOMOTIVE & TENDER - 2 RAIL & 3 RAIL.

N.Q.S. 2114 AND 2117.



NOTE! FOR 3 RAIL RUNNING, DELETE 4669 & 4670.
FIT 4294 SPRING & 4296 SHOES.



A MEMBER OF THE COURTAULDS GROUP.

BRITISH TRIX LTD,
INDUSTRIAL ESTATE,
WREXHAM.

V.R.